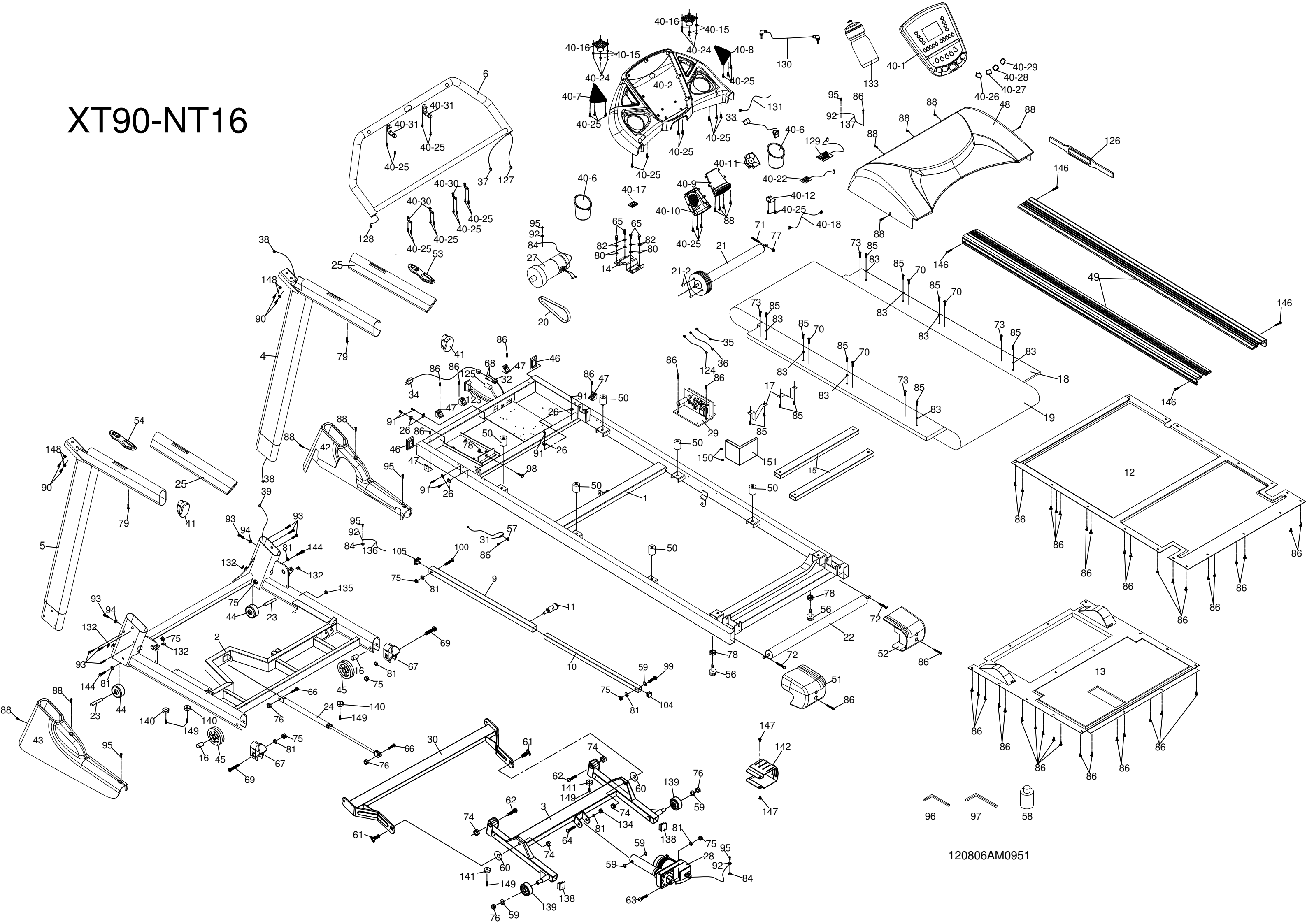


# XT90-NT16



120806AM0951