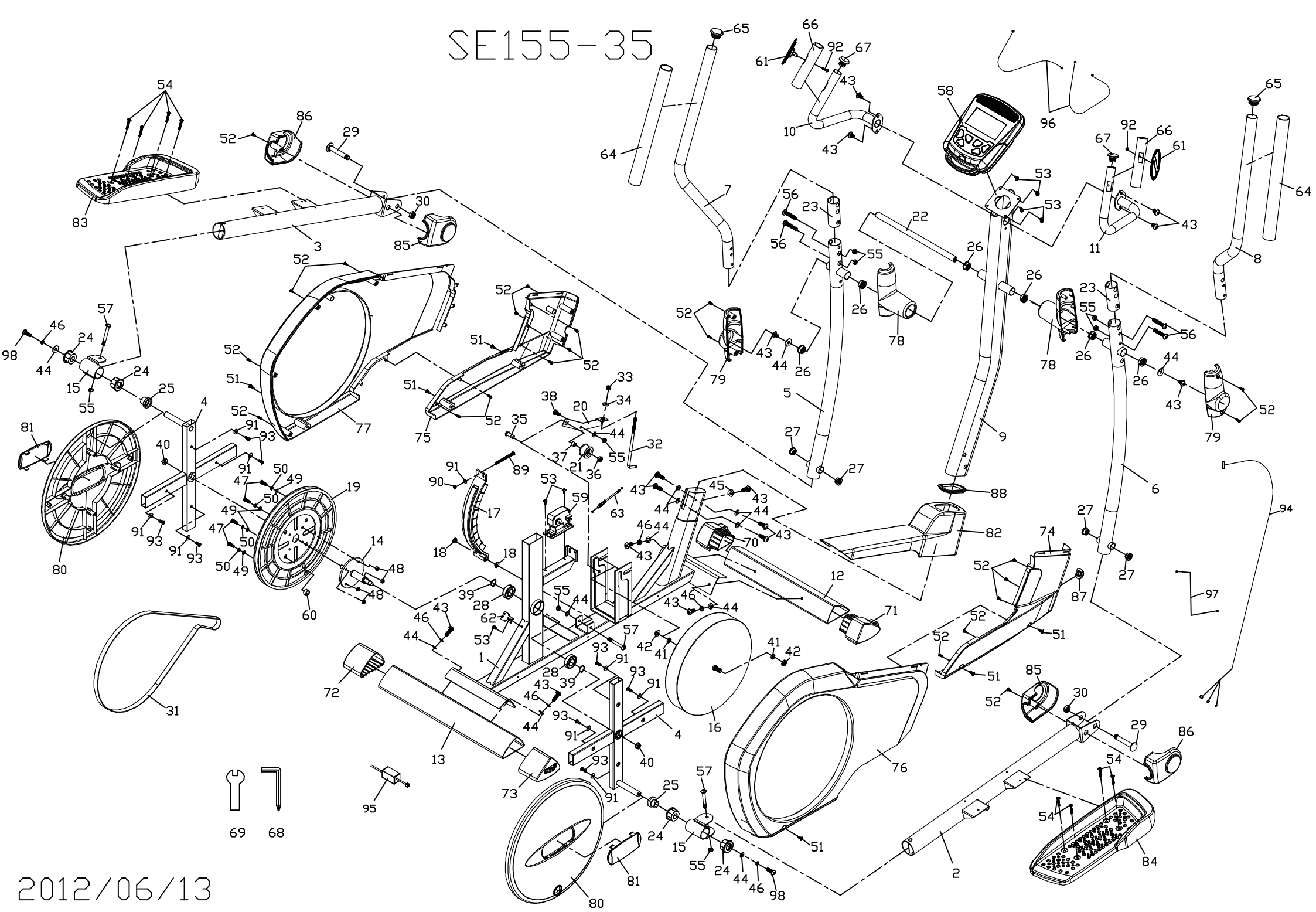


# SE155-35



2012/06/13