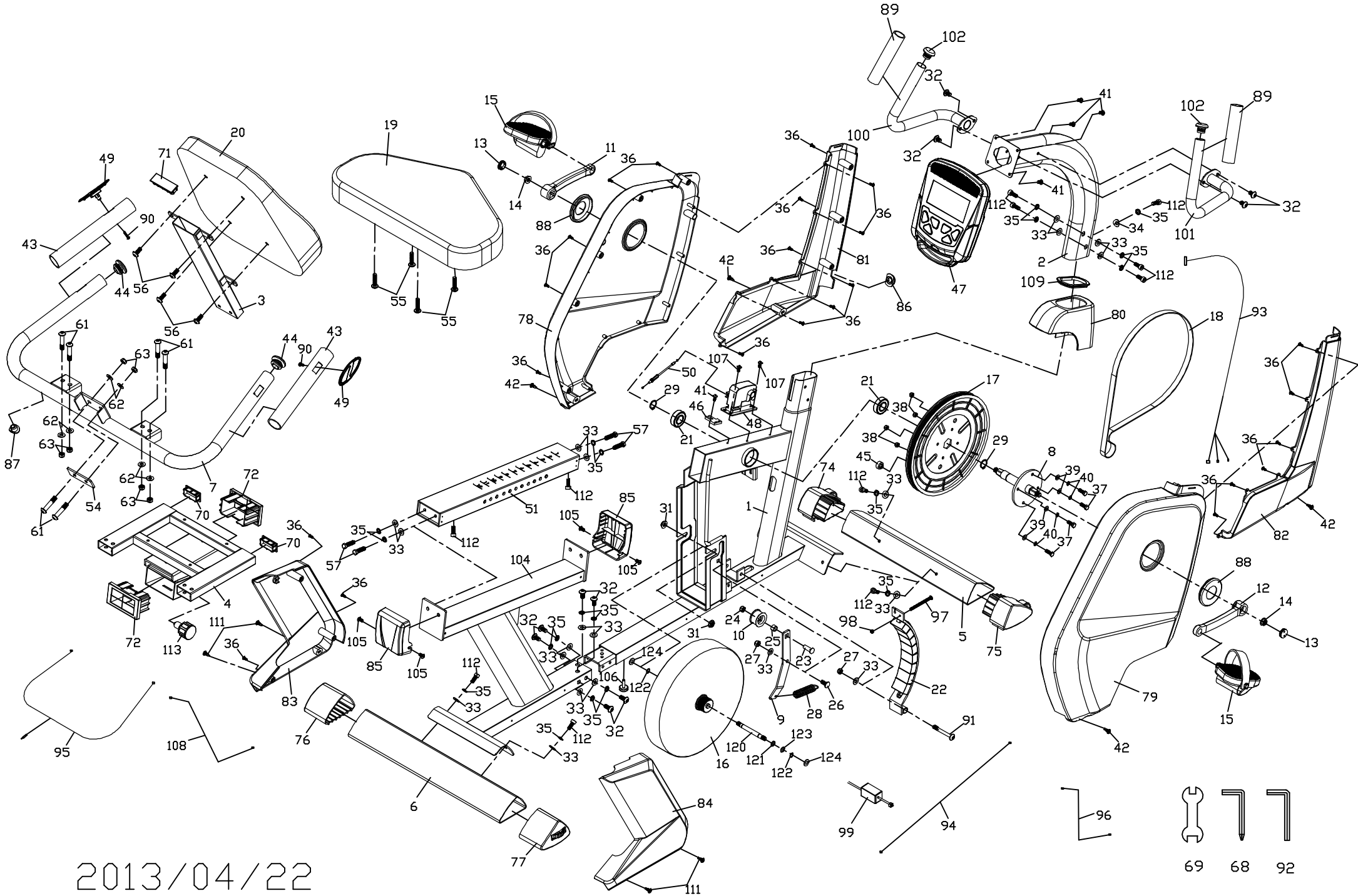


SR146-41



2013/04/22

